



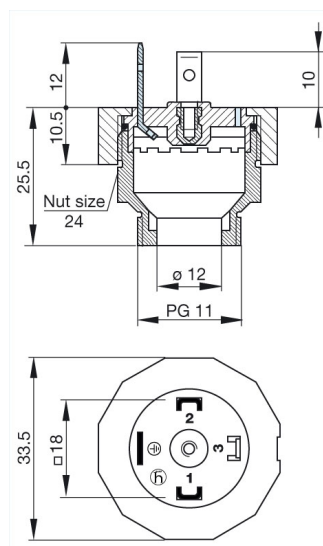
## GSP 211 PG11 schwarz/black

Industrial Connectors:Rectangular connectors GDM-series:Type A EN 175301-803 (DIN 43650) / ISO 4400:Appliance connector

### Product description

Description	appliance connector with thread, appliance connector, threaded sleeve, grip ring, o-ring (NBR)
Type	GSP 211 PG11 schwarz/black
Order No.	931 298-001
Number of contacts	2 + PE
Cable gland	PG 11
Standard	DIN EN 175 301-803-A
Housing Color	black
Construction type	A

### Drawing



### Technical data

Rated voltage	UC 400 V
Rated current	16 A
Contact resistance	$\leq 4$ mOhm
Type of termination	solder
Mounting	screw

### Material

Contact surface material	Sn
Contact bearer material	PA
Housing material	PA

### Environmental conditions

Protection class (IEC 60529)	IP 65 (gasket necessary) (mated)
Pollution severity	3
Temperature range	-40 °C to +125 °C

### Inflammability class

Contact bearer	94 HB
----------------	-------

### Approvals

VDE	VDE
SEV	SEV
<b>Packing unit</b>	
Packaging unit	200 pieces